

## RVCCH-75W



Jeep:  
2007 - 2016 Wrangler

**Tech Tip:**  
If the Radio becomes locked after disconnect,

Please do the following:  
1. Start the engine, then power off the vehicle.  
2. Allow vehicle to power down.  
3. Turn car on, Radio should be unlocked.

**IMPORTANT:**  
This interface will only work with NTSC video format.

Compatible Nav Radio Type: MYGIG

# REAR-VIEW INTEGRATION w/ CAMERA JEEP WRANGLER 2007-UP w/MyGig RADIOS

We recommend reading this installation guide first before starting any work. Following these instructions from "Start" to "Finish" will ensure a smooth and hassle free installation. We offer telephone support M-F 9:00 AM - 5:00 PM PDT at 1 (855) 822-1348. We are here to help.

### PARTS INCLUDED:

- (1) Wrangler Plate Camera (CH-75W)
- (1) 15 ft. Extension
- (1) CH-75W CAN-Bus Interface
- (1) CH-75W WHITE 22-Pin Harness
- (1) CH-75W GRAY 22-Pin Harness
- (1) Instruction

### Camera Specifications:

- Lens Angle 170 Degrees
- Resolution 420 TV Lines
- Min. Illumination 0.2Lux
- Voltage 12v
- Operating Temp. -22°F - 176°F
- NTSC
- Reference Lines
- Shutter Speed 1/60s - 20us
- Waterproof
- Pixels 656 x 492

### PRECAUTIONS:

- Remove the negative side of the battery to avoid any short circuits during the installation.
- Do not install the interface near any major components or near the HVAC system. This may cause damage or overheating to the vehicle.
- Do not disconnect the airbag connection behind the radio panel.

### PRELIMINARY :

Please read the entire manual before installing this interface.

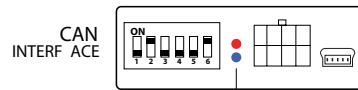
### INSTALLING THE CAMERA AND CABLE

1. Remove rear license plate.
2. Remove the license plate light.
3. Insert the new license plate camera with the attached camera.
4. Remove the factory radio to gain access to the factory connectors.
5. Connect Can-Bus Module to the Gray 22-Pin T-Harness, then connect the White 22-Pin T-Harness.
6. Route the wires towards the radio and make the power and video connections. For powering up the camera, use the reverse wire from the 8-Pin connector (Reverse Trigger Module)

### SETTING THE DIP SWITCHES

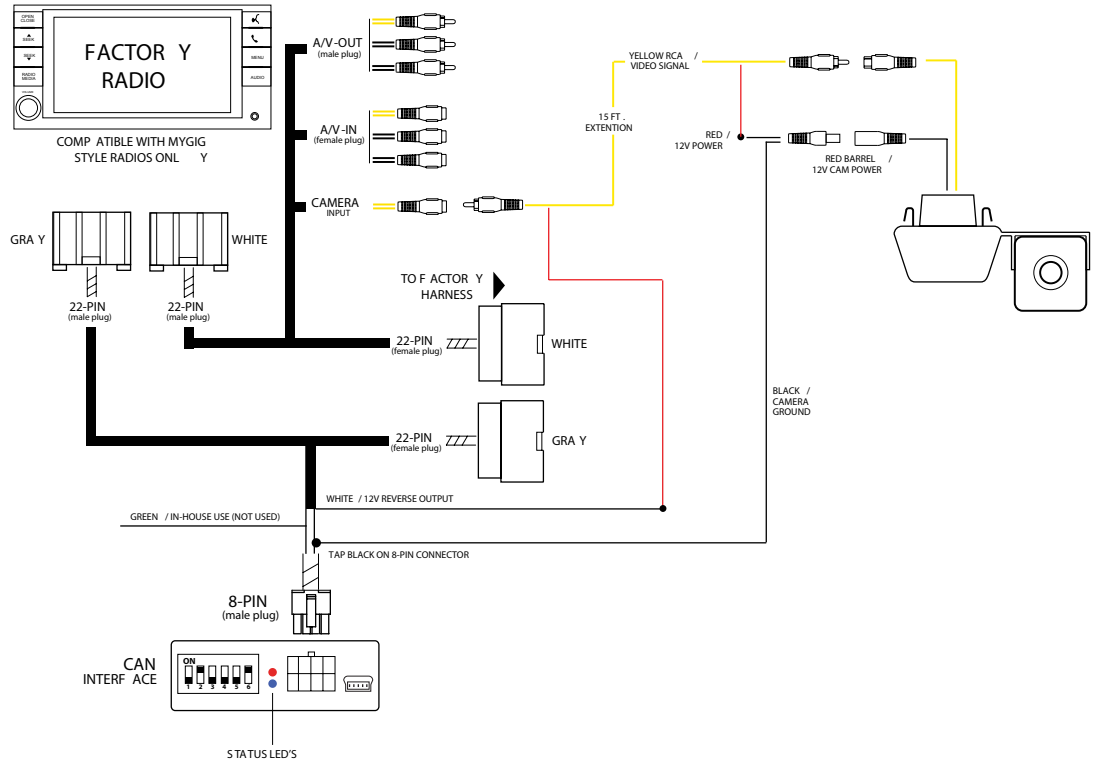
Dip Switches: To enable the RVC features place dip 1 to the on position.

Up = ON  
Down = OFF



- Dip 1: VIM Permanent Activation (Optional)
- Dip 2: ON - RVC Activation
- Dip 3: Not Used
- Dip 4: Not Used
- Dip 5: Not Used
- Dip 6: ON - CAN Termination

### CAMERA CONNECTIONS



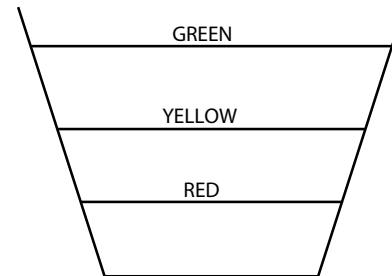
### PARKING LINE

The parking lines are there to assist you while reversing.

What the lines mean:

- Yellow Line: CLEAR
- Purple Line: GETTING CLOSE
- Red Line: WARNING - VERY CLOSE

Parking lines are not removable.



### SWITCHING SOURCES

VES will be your new source for AV Input.



To access the VES button, press the RADIO/MEDIA button on the left side of the radio to see the VES option. The VES button is only active after the interface is installed.

### LED STATUS:

RED LED = Confirms ACC Power

### BLUE LED:

- Pulsing = No BUS, Pending DATA
- OFF = Complete Power Down
- Solid = BUS Recognized

### TROUBLE SHOOTING

1. If noise occurs on the screen while vehicle is in reverse, we recommend grabbing the GROUND from the 18 AWG BLACK wire from the GRAY 22-Pin connector.



RVCCH-75W



Jeep:  
2007 - 2016 Wrangler

Tech Tip:  
If the Radio becomes locked after disconnect,

Please do the following:

1. Start the engine, then power off the vehicle.
2. Allow vehicle to power down.
3. Turn car on, Radio should be unlocked.

**IMPORTANT:**

This interface will only work with NTSC video format.

Compatible Nav Radio Type: MYGIG

## REAR-VIEW INTEGRATION w/ CAMERA JEEP WRANGLER 2007-UP w/MyGig RADIOS

COMPATIBLE RADIO: MyGyg Type Radios

