

### Vehicle Applications

**JEEP**  
2007 – 2016 WRANGLER

### Features

- Plug and Play Connections for ease of use.
- OEM style spare tire mount reverse camera.

### Radio Compatibility

- MyGig Navigation Radio

### Parts Included



CH-75WT MODULE



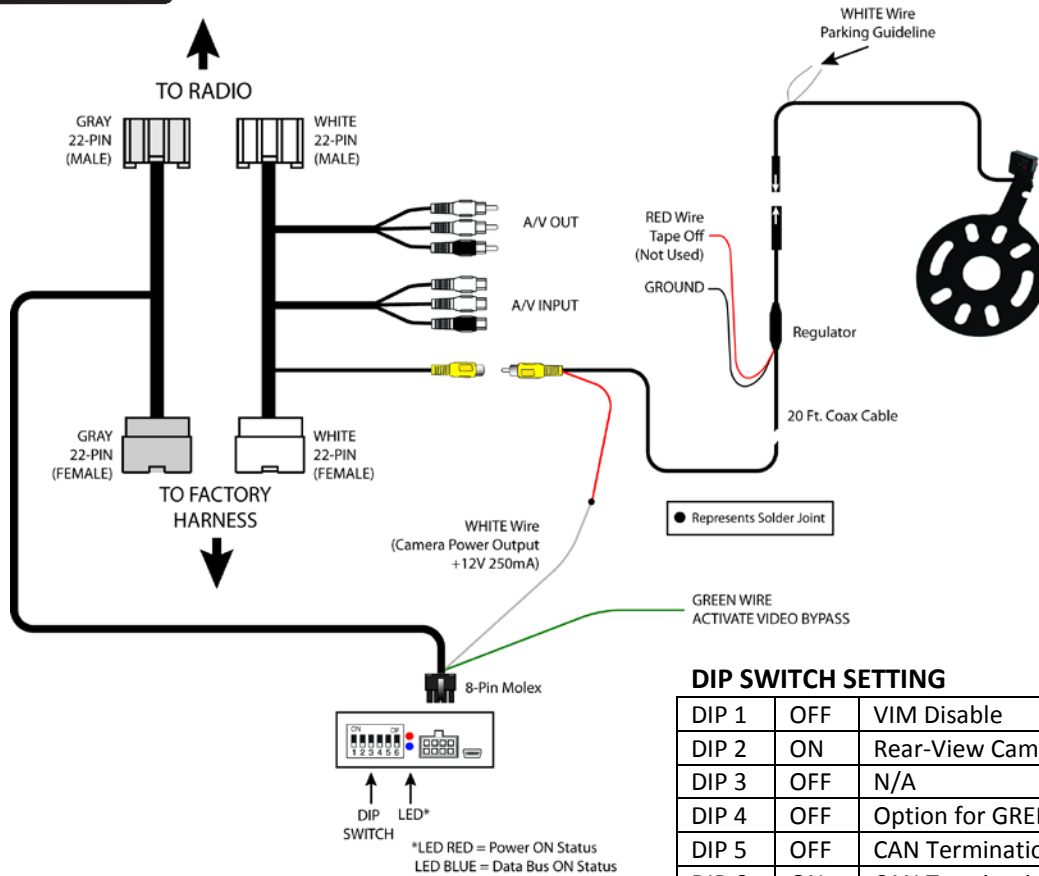
CH-75WT HARNESS



CCH-01S CAMERA



### Wiring Diagram



### DIP SWITCH SETTING

DIP	Setting	Function
DIP 1	OFF	VIM Disable
DIP 2	ON	Rear-View Camera Enable
DIP 3	OFF	N/A
DIP 4	OFF	Option for GREEN Wire
DIP 5	OFF	CAN Termination Radio Side
DIP 6	ON	CAN Termination Car Side

### Installation Instructions

#### INSTALLING THE CAMERA AND INTERFACE

1. Remove the outside mounted spare tire.
2. Mount the camera's metal bracket onto the spare tire bolts and secure with the star washers.
3. Route the cable towards the radio and make the power and video connections.
4. Remove the factory radio to gain access to the factory connectors.
5. Plug in the T-harness with WHITE and GRAY connectors. (See Wiring Diagram above)
6. Connect the 8-pin Molex connector from the T-harness with GRAY connectors to the CAN Interface.
7. Use the WHITE 12V Reverse Output wire to power the camera. (See Wiring Diagram above)
8. Plug in the YELLOW MALE RCA from the camera cable to the YELLOW FEMALE RCA of the T-Harness with WHITE connectors.
9. Connect GREEN wire to +12V for Video in Motion feature.
10. Set the proper DIP Switch settings on the CAN Interface. (See Chart above)
11. Cut the thin white wire on the camera cable to enable the parking guide lines.
12. Test the camera before re-installing the radio.



### PARKING LINE

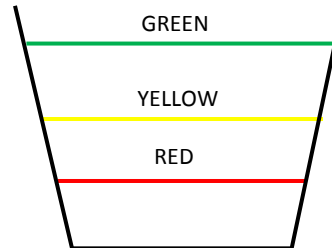
The parking lines are there to assist you while reversing. To activate the parking lines simply cut/disconnect the WHITE loop wire located near the 4 pin camera connector.

**What the Lines mean:**

Green Line: CLEAR

Yellow Line: GETTING CLOSE

Red Line: WARNING - VERY CLOSE



### SWITCHING SOURCES

VES will be your source for the AV Input.



To access the VES button, press the RADIO/MEDIA button on the left side of the radio. The VES button is only active after the interface is properly installed.

### COMPATIBLE RADIO

MyGig Radio

