



SWRHN-62B

HONDA
 2006 - 2011 Civic/Si
 2006 - 2011 CRV
 2010 - 2013 Insight (Non-Nav)
 2008 - 2011 Odyssey

Note:
 Does not support amplified systems.
 Does not support Rear-Seat Entertainment.
 Does not retain Factory Navigation systems.

RADIO REPLACEMENT W/SWC RETENTION FOR HONDA

We recommend reading this installation guide first before starting any work. Following these instructions from "Start" to "Finish" will ensure a smooth and hassle free installation. We offer telephone support M-F 9:00 AM - 5:00 PM PDT at 1 (855) 822-1348. We are here to help.

PARTS INCLUDED:

- (1) HN-62B Interface Module (A-1.2.6)
- (1) HN-62B T-Harness (2698)
- (1) Antenna Adaptor (NV-HD-10)
- (1) Instruction Sheet

PRECAUTIONS:

- Remove the negative side of the battery to avoid any short circuits during the installation.
- Do not install the interface near any major components or near the HVAC system. This may cause damage or overheating to the vehicle.

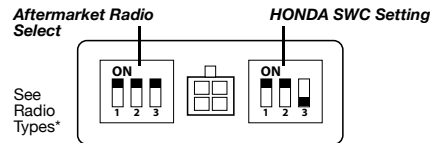
PRELIMINARY:

Please read the entire manual before installing this interface.

WIRING COLOR CODES

Black	= Ground
Red	= Accessory
Yellow	= Constant 12V
Orange/White	= Illumination (+)
Orange/Black	= Illumination (-) (Not Used)
White	= Left Front (+)
White/Black	= Left Front (-)
Gray	= Right Front (+)
Gray/Black	= Right Front (-)
Green	= Left Rear (+)
Green/Black	= Left Rear (-)
Purple	= Right Rear (+)
Purple/Black	= Right Rear (-)
White/Green	= Vehicle Speed Sense (VSS)
Yellow/Black	= K Line (Not Used)
Blue	= Power Antenna
Blue/Yellow	= Kenwood SWC
Blue/White	= Amp Turn-On
Brown	= Security Signal (Not Used)
Red/Black	= Aux Detect (Active-Low)

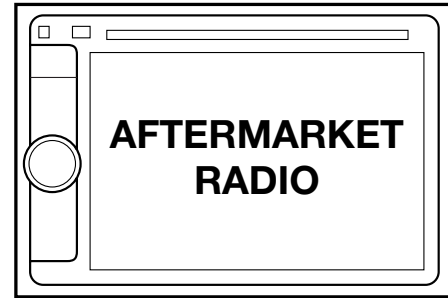
SETTING THE DIP SWITCHES



*Black squares identify dip switches in illustration above.

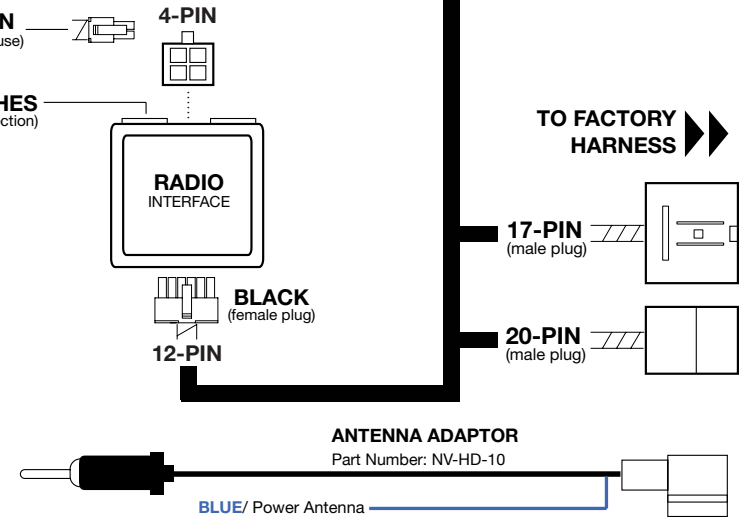
SWC TYPE:	DIP:	1	2	3
HONDA SWC		ON	ON	OFF

OVERVIEW OF INSTALLATION



SEE 3.5MM SECTION
 (see section for which cable to use)

DIP SWITCHES
 (see dip switch section)



CONNECT THE WIRES, COLOR FOR COLOR.

SETTING THE RADIO TYPE

Set the radio type by setting the dip switches to the configurations set below. See below for supported radio types.

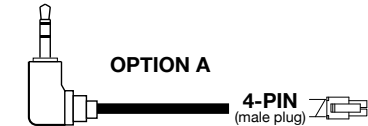
RADIO TYPE:	DIP:	1	2	3
Pioneer/ SONY/ Jensen	OFF	ON	ON	ON
Alpine	OFF	OFF	OFF	OFF
Clarion	ON	ON	OFF	OFF
Kenwood	ON	ON	ON	ON
JVC	ON	OFF	ON	ON
Blaupunkt	ON	OFF	OFF	OFF
Digitaldynamic	OFF	OFF	ON	ON



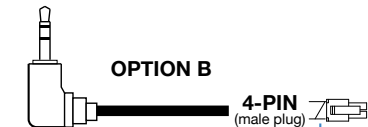
3.5MM SWC CABLES

Use the proper 3.5mm to 4-Pin connector for your radio. Insert the selected 4-Pin connector to the 4-Pin port on the module.

Option A: Pioneer, and Sony units.



Option B: Alpine, Clarion, JVC, and Kenwood units.



Note: If using the Blue/Yellow wire, you must cap off 3.5mm jack